

Procurement through Government e-Marketplace (GeM)

NOTICE INVITING TENDER (NIT)

Dear Sir,

Ramagundam Fertilizers and Chemicals Limited (RFCL) was incorporated on 17th Feb 2015 for setting up Gas based Urea manufacturing plant at Ramagundam in Peddapalli district of the Indian state of Telangana with capacity of 2,200 MTPD Ammonia Unit and 3,850 MTPD Urea Plant. RFCL is a Joint Venture Company of National Fertilizers Limited (NFL), Engineers India Limited (EIL) and Fertilizer Corporation of India Limited (FCIL). RFCL intends to purchase subject materials at its Plant located at Ramagundam (Telangana). You are invited to participate through GeM portal.

Subject: SUPPLY OF COMPLETE CONTROL VALVE (100 TV 5037)	
GeM Bid No.	GEM/2026/B/7405535
RFCL NIT Ref No.	RFCL/2026-27/DS/Inst/50000090/07
Date	11.04.2026

It is presumed that accordingly, you can submit your bid and participate in this tender as per the requirements of the system. However, in case of any help/clarification, you may contact any one of the following:

Ramagundam Fertilizers And Chemicals Ltd

Mr. Binayabrata Mahapatra, Senior Manager (Materials) I/c RFCL, Fertilizers City, Ramagundam Mob No: 7077728212 Email: binayabrata.mahapatra@rfcl.co.in	Mr. Durgesh Kumar Sharma Deputy Manager (Materials), RFCL, Fertilizers City, Ramagundam Mob No: 9918888256 E mail: durgesh.sharma@rfcl.co.in
--	---

1. Name & Adresse & Address of Consignee:

Dy. Manager (Stores), Ramagundam Fertilizers and Chemicals Limited (RFCL), Fertilizers City – 505210. Ramagundam (Mandal), Peddapalli (District), Telangana state, India. Mob No: +91-7569708118 E-Mail : store.rfcl@rfcl.co.in, praveen.kumar@rfcl.co.in

2. GST Nos.:

Unit	GST NO.
Ramagundam, Telangana	36AAHCR2335P1ZY

3. In the event of any contradiction between General Terms & Conditions and Special Terms enclosed with this NIT, the latter shall prevail. All General, Commercial and Financial terms and conditions shall be as per GeM Policy if not specified in our tender document.

**Thanking You
For & On Behalf Of
Ramagundam Fertilizers and Chemicals Limited**


**Binayabrata Mahapatra
SM (Materials)-I/c**

**BINAYABRATA MAHAPATRA
SENIOR MANAGER (MATERIALS)
Ramagundam Fertilizers and Chemicals Limited
Ramagundam-505210, Dist. Peddapalli (T.S)**

ANNEXURES

Sr. No.	Annexures	Particulars
1.	Annexure- I	List of Items
2.	Annexure- II	Special Terms & Conditions
3.	Annexure- III	Tenderer Details
4.	Annexure- IV	Declaration of Land Border format
5.	Annexure- V	Local Content Declaration format
6.	Annexure- VI	Technical Specifications, Scope of Supply/Work, Technical Special Terms and Conditions & GAD.
7.	Annexure- VII	Integrity Pact
8.	Annexure- VIII	BQC
9.	Annexure- IX	Financial Statement
10.	Annexure- X	Technical Statement

List of Items

Sr. No.	Item Code	Item Description	UOM	Qty	Offered Make (Tenderer to Specify)	Offered Model (Tenderer to Specify)	Remarks
1.	RIA00030080260108	100 TV 5037-Complete control valve Valve along with actuator with mounting bracket and mounting accessories & Postioner ND 9106HX Make: Metso Valve model number: BWH4I/H1B12YYNDG305Y Actuator Model No: B1JARRU25/95L , Actuator Temperature: -20 to +70 °C, Air Supply Pressure: 5.0 barG, Assembly drawing: Required, Certified dimensional drawing: Required, Parts list: Required. For Valve 100-TV-5037.Detailed Specifications attached as per Annexue-VI.	No	1			

Note: Existing Valve Make: Metso Valve model number: BWH4I/H1B12YYNDG305Y, however any bidder can quote their make & model which is suitable to our technical parameters.

SPECIAL TERMS & CONDITIONS

Pl confirm acceptance of terms and conditions as indicated below while submitting your offer:

Sr. No	Terms and Conditions	Tenderer's Confirmation
1)	SCOPE OF WORK: SUPPLY OF COMPLETE CONTROL VALVE (100 TV 5037) upto RFCL, Ramagundam on FOR Basis as per specifications at Annexure-I & VL	
2)	Price Basis: FOR up to RFCL Ramagundam basis (i.e. Including P&F, Freight, Insurance & GST.	
3)	DELIVERY PERIOD: Supplier has to supply the material within 46 Weeks from the date of drawing approval.	
4)	<p>Guarantee/Warranty: Supplier will warranty the supplied items against manufacturing defects/ poor workmanship for a period of 18 months from the date of supply or 12 months from date of commissioning/put to use whichever is earlier or as per OEM standard. Certificate to be submitted along with the supply of material at no extra cost to RFCL.</p> <p>However, Defects, damages reported during guarantee/warranty period shall be attended & rectified within 2 weeks from the date of intimation</p>	
5)	Payment Terms: As per GeM.	
6)	LD: As per GeM.	
7)	<p>EARNEST MONEY DEPOSIT (EMD) – As applicable in Gem Portal (No loading shall be applicable for EMD)</p> <p>Tenderers must submit Earnest Money Deposit of Rs. 1,00,000/- (Rupees One Lakh Rupees Only).</p> <p>The details of the transaction with UTR No to be submitted along with technical bid for verification.</p> <p>RFCL's Bank details for RTGS/NEFT are as follows:</p> <p>Beneficiary Name : Ramagundam Fertilizers and Chemicals Limited Bank name : State Bank of India Branch Name : RFCL BRANCH (61777) Bank A/c no. : 36727029257 IFSC Code : SBIN0061777</p> <p>In case of BG, Kindly arrange to send SFMS confirmation to below mentioned Bank</p> <p>Bank name : STATE BANK OF INDIA COMMERCIAL BRANCH, NEHRU PLACE, NEW DELHI IFSC Code : SBIN0004298</p> <p>Earnest Money Deposit will not bear any interest.</p> <p>Earnest money shall be forfeited at the sole discretion of RFCL in case tenderer after intimation from RFCL of the acceptance of his tender, either wholly or in part, refuses to accept the Purchase Order/or changes any of the conditions of the tender or changes the price and/or terms and conditions of the tender within validity period.</p>	
8)	<p>SD-cum-PBG: Successful Tenderer, for faithful performance of the contract, will furnish Security Deposit within 10 days of issue of Purchase Order. The SD-cum-PBG will be @ 5% of Order value. The same shall be valid for a period covering the Delivery Period + Guarantee/Warranty Period + 3 Month's Claim Period & As applicable in Gem Portal.</p>	

9)	INTERCHANGEABILITY CERTIFICATE: The supplier shall submit interchangeability certificate Certifying that the offered valve shall be an exact one to one replacement for our existing Installed valve.	
10)	<p>Test Certificates : The party shall submit all test certificates detailed as below along with the supply of the control valve, similar to those furnished during the project PO supply (RFCL/A747/PO/M/2873/609/1023 dated 13.06.2017).</p> <p>The following test certificates are required:</p> <p>a) Radiography test reports b) Ultrasonic test reports c) MOC (Material of Construction) certificate d) Material laboratory test reports e) Liquid Penetration Test (LPT) reports f) Body hydro test certificate g) Material bend test as per ASTM A703/A703M-05 h) Seat leakage test as per ANSI FCI 70-2 i) Control valve calibration certificate j) PESO/CCOE certification</p>	
11)	Bidder shall submit copy of PO issued by any PSU/other company for the same/similar item along with offer/bid.	
12)	Bidder shall submit published price list of spares from OEM along with offer/bid.	
13)	<p>Integrity Pact [Annexure – VI] Party Shall submit Integrity Pact duly signed and stamped along with your offer. Integrity Pact format is enclosed herewith at (Annexure – VI). The Integrity Pact has to be signed by the Proprietor / Owner/ Partner/ Director or by your duly Authorised Signatory.</p>	
14)	Note: All General, Commercial and Financial terms and conditions shall be as per GeM Policy if not specified in our tender document.	
15)	RESTRICTION CERTIFICATION ON PROCUREMENT: Kindly submit the Certificate of Compliance along with quotation (If Applicable) vide Govt. Office Memorandum Dated: 23.07.2020 & 08.02.2021.	
16)	<p>MSE/ MII Purchase Preference: Party may declare the option of Purchase preference for MSE/ MII.</p> <p>Verification of local content (Prevails from time to time as per GEM): The 'Class-I local supplier'/ 'Class-II local supplier' at the time of tender, bidding or solicitation shall be required to indicate percentage of local content and provide self-certification that the item offered meets the local content requirement for 'Class-I local supplier'/ 'Class-II local supplier', as the case may be. They shall also give details of the location(s) at which the local value addition is made.</p>	

TENDERER DETAILS

Sr.	Description							
1.	Name of Company/Firm							
2.	legal status of the firm (Limited Company/Partnership/Proprietor etc. (Pl. Specify)							
3.	Trade Name of the Company/Firm							
4.	Registration Number of Firm/Company							
5.	Complete Registered/Branch Address							
6.	Name of Proprietor/Partners/Directors							
7.	Contact/Authorized Person name and Designation							
8.	Land line Tel No							
9.	Mobile number							
10.	Email Id							
11.	PAN No. to be intimated along with Documentary Proof thereof.							
12.	GST Registration No. with Documentary Proof.							
13.	HSN/SAC No.							
14.	If the Tenderer is registered as Micro/Small/Medium Enterprises as per MSMED Act,2006, the same may be confirmed by the Tenderer and submit a photocopy (Self certified) of the registration certificate in support thereof. Otherwise, it will be construed that the Tenderer is not registered as per MSMED Act, 2006. <i>Registration month & Year should be prior to bid submission due date.</i>							
15.	Bank Account Details:							
	Name of Beneficiary/Account holder							
	Complete Bank Account No:							
	Account type (SB/Current/CC/OD) Pl. Specify							
	Name of Bank and Branch Address:							
	IFSC Code:							
16.	Name of Beneficiary							
17.	If a Tenderer has relations whether by blood or otherwise with any of employees (including employees on deputation) of RFCL, the Tenderer must disclose the relation at the time of submission of Tender, failing which, RFCL shall reserves the right to reject the Tender or rescind the Contract.	YES / NO (If Yes, give the following details)						
		<table border="1"> <thead> <tr> <th>Name & Designation of the Employee</th> <th>Place of Posting</th> <th>Relation with the Employee</th> </tr> </thead> <tbody> <tr> <td></td> <td></td> <td></td> </tr> </tbody> </table>	Name & Designation of the Employee	Place of Posting	Relation with the Employee			
		Name & Designation of the Employee	Place of Posting	Relation with the Employee				
18.	Other information if any							

I/We are hereby confirming that the above information/details are given true and correct to the best of my/our knowledge and belief and nothing has been concealed therein. I/We also undertake to advise any future changes to the above details.

Name, Seal & Signature of Authorised Signatory

**Model Clause Certificate: Public Procurement No. 1
(On Company's Letter Head)**

Tender Ref. No.:

To

M/s. Ramagundam Fertilizers & Chemicals Limited, Ramagundam, Telangana

Sub: Model Clause Certificate as per Annexure-III (Tenders) of Restrictions under rule 144 (xi) of the General financial Rules (GFRs) 2017, dated: 23.07.2020

Sir,

I.....(authorized signatory) for M/s..... have read the clause regarding restrictions on procurement from a contractor of a country which shares a land border with India. We certify that this contractor M/s.....[Vendor Name & address] is not from such a country or, if from such a country [Tick appropriate option & cut the other one], has been registered with the competent authority. We hereby certify that we fulfil all requirements in this regard and is eligible to be considered [attach evidence of valid registration certificate with competent authority].

For M/s.....

Authorized Signatory

(with company seal & Name)

ANNEXURE-V

LOCAL CONTENT DECLARATION BY CHIEF FINANCIAL OFFICER OR OTHER LEGALLY RESPONSIBLE PERSON NOMINATED IN WRITING BY THE CHIEF EXECUTIVE OR SENIOR MEMBER/PERSON WITH MANAGEMENT RESPONSIBILITY (CORPORATION, PARTNERSHIP OR INDIVIDUAL)

(On Letter Head of Bidder)

IN RESPECT OF BID / TENDER No.

ISSUED BY: (Name of Firm):.....

NB: The obligation to complete, duly sign and submit this declaration cannot be transferred to an external authorized representative, auditor or any other third party acting on behalf of the bidder.

I, the undersigned, (full names),
do hereby declare, in my capacity as
of(name of bidder
entity), the following:

(a) The facts contained herein are within my own personal knowledge.

(b) I have read and understood the requirement of local content (LC) and same is specified as percentage calculated in accordance with the definition provided at clause 2 of revised Public Procurement (preference to Make in India) Order 2017.

“Local content” as per above order means the amount of value added in India which shall be the total value of items procured (excluding net domestic indirect taxes) minus the value of imported content in the item (including all customs duties) as a proportion of the total value in percent.”

(c) I have satisfied myself that the goods/services/works to be delivered in terms of the above-specified bid comply with the local content requirements as specified in the tender for ‘Class-I Local Supplier’ / ‘Class-II Local Supplier’, and as above.

(d) I understand that a bidder can seek benefit of either Public Procurement Policy for MSEs –Order 2012 or Public Procurement (preference to Make in India) Order 2017 and not both and once the option is declared / selected it is not permitted to be modified subsequently. Accordingly, I seek the benefit from the below declared purchase preference policy only.

i) I seek benefits against the following policy only (Select only one Option):

1) PPP MSE Order 2012 (applicable for MSE manufacturers)

2) PPP MII 2017 (applicable for Class I suppliers as well as MSE manufacturers)

(Note: If not declared / selected it shall be deemed that purchase preference benefit is sought under PPP MII 2017 policy. However, selection of both the options will be treated as ambiguous and will result in rejection of bid)

(e) The local content calculated using the definition given above are as under:

Tender Item No	Local content calculated as above %	Location of local value addition(Location shall be the specified as name of city or district, etc. Location as name of country will be considered as ambiguous and such bids shall be rejected.)

Attach separate sheet duly signed if space is not sufficient

NB: Local content percentage shall be declared item wise or tender wise strictly as per the terms of the tender.

(f) I accept that the Procurement Authority / Institution / MDL / Nodal Ministry has the right to request that the local content be verified in terms of the requirements of revised Public Procurement (preference to Make in India) Order 2017 dtd 16.09.2020 and I shall furnish the document / information on demand. Failure on my part to furnish the data will be treated as false declaration as per PPP MII Order 2017. In case of contract being awarded, I undertake to retain the relevant documents for 7 years from date of execution.

(g) I understand that the submission of incorrect data, or data that are not verifiable as described in revised Public Procurement (preference to Make in India) Order 2017, may result in the Procurement Authority / Nodal Ministry / MDL imposing any or all of the remedies as provided for in Clause 9 of the Revised Public Procurement (preference to Make in India) Order 2017 dated 16.09.2020

SIGNATURE: DATE: _____

Seal / Stamp of Bidder

18	VALVE	*Type	Butterfly valve	63	Available Air Supply Press.	Max: 9	kg/cm ² G
19	*Size		12	64		Min: 4	kg/cm ² G
20	Rating		ASME B16.5 2500	65		A-HU	
21	Tightness (water) / (air)		No / FCI 70.2 class IV	66	Act Orientation	Side	
22	*Body/ Bonnet matl		SS347H	67	Handwheel		
23	Flange Face Finish		ASME B16.5 ring joint	68	Operating time	sec	Open min: - max: 50
24				69	Ctrl valve sov fail function	Close min: - max: -	Open max: -
25	*Flow Direction		Bi-directional	70	POSITIONER	*Type	Valve controller
26	*Packing Material		Graphite	71	Input Signal	4-20 mA	
27	*Packing Type		Live loaded	72	*Model	ND9106HX	
28	Valve painting		No painting	73	*Electrical Approvals	Ex"1"	
29	Mounting parts		L	74	INSTRUMENTATION		Qty
30	TRIM	*Type	Disc	75	Fixing plate	FIXING PLATE	1
31	*Size		12	76	Filter regulators	NORGREN,	1
32	Max dP		5	77	Pressure gauge		1
33	*Characteristic		Equal	78	Conduit entry adapter	N/A, CE07-M20x1.5-1/2NPT	1
34	*Balanced / Unbalanced		NA	79	Pressure switches	BIFOLD, SPR-08-08-P5-32-NUJ-00-V	1
35	*Rated Cv / FL / XT		2597	80	Tubing / fitting	SS316 Swagelok	
36	*Trim Material		347H hardfacing	81	Special test / Requirement	Helium Leak test	
37	*Seat Material		UNS N07718 silver coated	82	Valve painting	No paint	
38	*Stem Material		XM-19	83	Actuator Paint	Green	
39	TESTS			84	-		
40	Liquid Penetrant		Liquid penetrant T-78	85	-		
45	Radiograph		Radiograph T-1314	86			
46	Material bend test		Acc to ASTM A703 A703M-05	87			
				88			
				89			
				90			
				91			
				92			
				93			
				94			

SCOPE OF SUPPLY/WORK & TECHNICAL SPECIAL TERMS AND CONDITIONS

Pl confirm acceptance of terms and conditions as indicated below while submitting your offer:

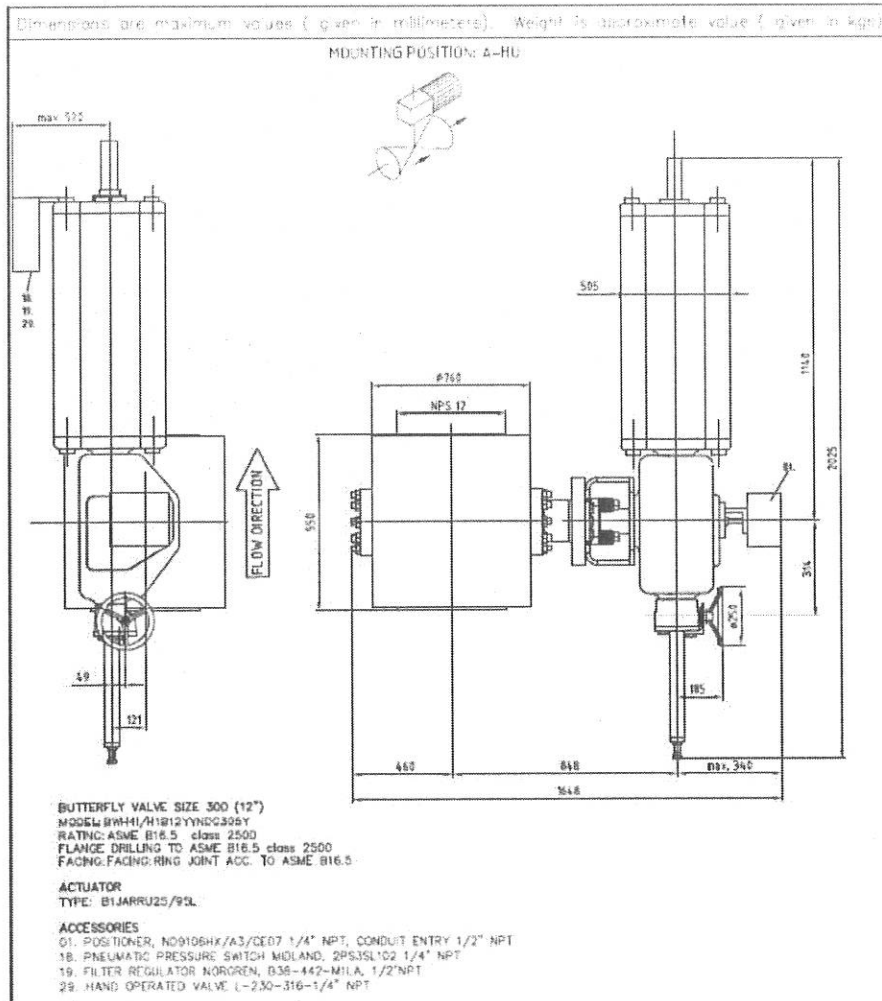
=====

Sr. No	Terms and Conditions	Tenderer's confirmation
1.	B1. The control valve covered Butterfly type for the following units of Ramagundam Fertilizers limited 1. Ammonia Unit, (Unit-100), licensed by Halder Topsoe .	Tenderer's confirmation -----
2.	B2. Vendor shall read the datasheet Vendor has to submit the detail datasheet along the cv calculations, MOC selection for control along with budgetary offer. a). The control valve should designed for one to one replacement of the existing control valve and dimensions is mentioned in the GAD. NO deviation is accepted from the existing dimensions.	Tenderer's confirmation -----
3.	B3. Vendor shall furnish the Final filled up datasheet with model number, sizing, Cv values and catalogue with model decoding etc. within two weeks of issue of LOI for approval of manufacturing.	Tenderer's confirmation -----
4.	B4. Supplied Model Nos. for control valve & accessories shall be field proven for at least 8000 hrs in hydrocarbon application similar to as those indicated in the NIT. In case the model nos. are not field proven for at least 8000 hrs of operation, Vendor shall not supply the same.	Tenderer's confirmation -----
5.	B5. SPECIFIC INSTRUCTION TEST REQUIREMENTS i. RADIOGRAPHY REQUIREMENTS: Control Valve Body Should be Manufactured In Forging has to undergone for Ultrasonic test (bonnet and body, end flanges and thicker portion of the all control valve). This control valve with ratings ANSI 2500# and valve welding portion shall undergo Radiography as follows: a) 100% radiography testing shall be applied for the weld joints . Applicable Standards: Radiography is performed according to ASME Section V, Article 2. Acceptance criteria for forged valve bodies are generally governed by ASME B16.34 or, if specialized, ASME Section VIII, Division 1, Appendix VII b) Post weld heat treatment (PWHT) shall be provided for welds, where applicable. Radiography shall be carried out after completion of the PWHT/ Stress relieving operation wherever required. ii. HYDROGEN SERVICE Radiography test is mandatory for this control valve, since the service is Hydrogen	Tenderer's confirmation -----
6.	B6. Control valve accessories like Air Filter Regulators, Smart Positioners, , Solenoid valves, Limit switches, Pneumatic lock relay etc. (Wherever applicable) shall be supplied in fully assembled conditions with minimum of 8.0 mm OD with 1 mm wall thickness SS316L air tubing. Material for mounting part/bracket shall be SS as minimum. Tube fittings shall be of flareless compression type of SS material. Tubing of higher size of 10mm OD / 12mm OD (if required) for proper actuation of actuator / control valve shall be provided by Vendor. Accessories like AFR shall be selected to match the air tubing requirements.	Tenderer's confirmation -----
7.	B7. The actuator supplied shall be pneumatically operated type working on instrument air. Vendor shall size these actuators based on 4.0 kg/cm2G air supply pressure. Available instrument air supply pressure is 4.5 kg/cm2g (min)/ 7 Kg/cm2g (nor)/8 Kg/cm2g (max) and 12 Kg/cm2g (design).	Tenderer's confirmation -----
8.	B8.. Vendor to note that sizing of actuator is their responsibility and actuator sizing shall not be verified by the purchaser. However, Vendor must submit these calculation during detailed engineering for review. Any change in actuator model number necessary to meet PR requirements during detailed engineering shall be taken care of by Vendor without any implications.	Tenderer's confirmation -----

9.	B9 Vendor shall indicate the recommended actuator orientation. The orientation of the actuator may be changed during detailed engineering. The Vendor shall do the same without any implication.	Tenderer's confirmation
10.	B10. Control valves where noise is expected, vendor shall follow clause ISA 75.17 Maximum allowable noise level less than 85 dba	Tenderer's confirmation
11.	B11. Vendor to note all electrical/ electronic accessories on the valve and actuator shall be suitable for installation in electric area class IEC Zone-2 Gas Group IIA/IIB/IIC Temperature class T3 as per datasheet. Fittings/accessories in Copper or copper alloy shall not be used. Smart positioners shall be certified as intrinsically safe. Solenoid valves shall be intrinsically type, suitable for 24 VDC and low wattage (less than or equal to 2 W). Relevant certificate indicating the entity parameters shall be furnished for the specified area classification from a statutory body.	Tenderer's confirmation
12.	B12. The requirement of statutory approvals for usage of equipment/instruments/ systems in electrically hazardous areas shall be as follows: a) The Vendor shall be responsible for obtaining all statutory approvals, as applicable for all instruments and control systems. b) Equipment/instrument/systems located in electrically hazardous areas shall be certified for use by statutory authorities for their use in the area of their installation. In general, the following certification shall be provided by the Vendor: - For all intrinsically safe/ flameproof/ protected by other methods, equipment/ instrument/systems, which are manufactured abroad (outside India) and certified by any approving authority like Baseefa, FM, UL, PTB, LCIE etc., certification by the Indian authorities - Petroleum Explosives Safety Organisation (PESO) /Chief Controller of Explosives (CCE), Nagpur, India is mandatory. - For all intrinsically safe/Flameproof equipment manufactured locally (within India), the testing shall be carried out by any of the approved testing houses - Central institute of Mining & Fuel Research (CIMFR) / ERTL etc. The item shall in addition bear the valid certification from PESO/ CCE.	Tenderer's confirmation
13.	B13. Wherever flow direction is mentioned in the control valve datasheet the same shall be followed.	Tenderer's confirmation
14.	B14. Wherever solenoid valves have been asked for control valves in modulating service, the control valves are for modulating cum shutdown application. For all such cases, solenoid valve shall be installed between positioner output and actuator. The de-energisation of solenoid valve shall bring the control valve to failure position by venting the actuator.	Tenderer's confirmation
15.	B15. HART POSITIONER: a) HART positioners shall meet the following specifications b) Vendor to supply Positioner with HART output (as per respective valve data sheet) of Metso make The supplied HART Positioners shall comply all requirements indicated in Standard Specification of hazardous zones In addition to operational and maintenance data provided by the positioner like actual stem position, instrument input signal, Pneumatic pressure to the actuator etc. the positioner shall also provide the cycle counting and store accumulation data to help keep control valve stem leakage in control. The positioner shall also have build-in manual stroke button for stroke open or close the valve for quick verification. c) Vendor to ensure that valve HART positioners shall be able to communicate with Universal Hand Held communicator TREX (Vendor's scope). D) Vendor to ensure that for Smart positioners following data is furnished during detailed engineering in excel format attached	Tenderer's confirmation
16.	B16. Advanced Diagnostics Software for Positioners: Owner DCS shall be supplied with Maintenance Information System along with standard software of DCS.	Tenderer's confirmation

	The advanced diagnostics software shall be used to diagnose control valve performance problems from DCS platform of MIs EMERSON (Delta V). Vendor shall ensure that the positioner makes supplied is compatible with Emerson DCS system	
17.	B17. Vendor shall supply. Air filter regulators shall be supplied from Norgren.	
18.	B18. Vendor shall supply low power consumption type (2W) Solenoid valve shall be from Asco.	
19.	B19. Tubes shall be from one of the following approved make: A) SWAGELOK CO. (India)	
20.	B20. Vendor to note that there shall not be any implications in case the valve port size need to be changed to accommodate minor process changes while keeping the valve size and other specifications same.	
21.	B21. Inspection and Test requirements: a) Inspection shall be carried out for all items supplied by Vendor. Vendor has to provide the all the WPS Procedure, material certificate (chemical, mechanical properties), lab test certificates, DP test documents, post weld heat treatment, radiography test documents, functional test certificates, painting certificates, final documentation,	
22.	B22. Vendor shall furnish soft copies of all drawings and data sheets in AutoCAD/ MS Excel formats.	
23.	B23. Asbestos free gasket & stem packing shall be used for all the valves.	
24.	B24. All butterfly valves (wafer/lug) shall be flangeless irrespective of whatever mentioned in datasheets. For flangeless valves, the extra-long Stud-Bolts and Nuts & gaskets required shall be Supplied by the vendor. Refer to standard specification (hydrogen service) of control valve for material of the same.	
25.	B25. Vapour pressure wherever mentioned in datasheets is the absolute pressure in kg/cm ² (a).	
26.	B26. Butterfly valves for continuous control shall be sized for a maximum opening angle of 60°. However in case Characterized disc butterfly valves are necessary due to sizing consideration, the same can be considered (for a maximum opening angle of 90°).	
27.	B27. Licensor Special Requirements: The following special Licensor requirement shall be taken care. These shall override requirements indicated elsewhere in the PR. i) Copper and copper alloys are not allowed for tubing, fittings, cable glands, etc and Viton is not allowed as sealing material e.g. as O rings when ammonia / urea may be present in fluids.	

GAD



CP132

RFCL/Unit/MATERIALS/Supply of Complete Control Valve (100 TV 5037)/2026/e-off

VINOTHKANNAN S (19/03/2026)

Integrity Pact

(To be submitted along with technical bid/tender documents. To be signed by the bidder and RFCL)

PRE CONTRACT INTEGRITY PACT

General

This pre-bid pre-contract Agreement (hereinafter called the Integrity Pact) is made on _____ day of the month of _____ 20__, between, on one hand, the Ramagundam Fertilizers and Chemicals Limited (RFCL) hereinafter referred to as "Buyer".

AND

_____ herein after referred to as "The Bidder/Contractor".

which expression shall mean and include, unless the context otherwise requires, his successors and permitted assigns) of the Second Part.

WHEREAS the BUYER proposes to procure (Tender ID: **BID NO: GEM/2026/B/7405535** and Tender Description: **SUPPLY OF COMPLETE CONTROL VALVE (100 TV 5037)**) and the BIDDER/Seller is willing to offer/has offered the stores and / or to undertake the work as per the Tender.

WHEREAS the BIDDER is a private company/public company/Government undertaking/partnership/registered export agency, constituted in accordance with the relevant law in the matter and the BUYER is a Ministry/Department of the Government of India/PSU or its subordinate offices/Organisations.

NOW, THEREFORE,

To avoid all forms of corruption by following a system that is fair, transparent and free from any influence/prejudiced dealings prior to, during and subsequent to the currency of the contract to be entered into with a view to:

Enabling the BUYER to obtain the desired said stores/equipment at a competitive price in conformity with the defined specifications by avoiding the high cost and the distortionary impact of corruption on public procurement, and

Enabling BIDDERS to abstain from bribing or indulging in any corrupt practice in order to secure the contract by providing assurance to them that their competitors will also abstain from bribing and other corrupt practices and the BUYER will commit to prevent corruption, in any form, by its officials by following transparent procedures.

The parties hereto hereby agree to enter into this Integrity Pact and agree as follows:

Commitments of the BUYER

- 1.1 The BUYER undertakes that no official of the BUYER, connected directly or indirectly with the contract, will demand, take a promise for or accept, directly or through intermediaries, any bribe, consideration, gift, reward, favour or any material or immaterial benefit or any other advantage from the BIDDER, either for themselves or for any person, organisation or third party related to the contract in exchange for an

advantage in the bidding process, bid evaluation, contracting or implementation process related to the contract.

- 1.2 The BUYER will, during the pre-contract stage, treat all BIDDERS alike, and will provide to all BIDDERS the same information and will not provide any such information to any particular BIDDER which could afford an advantage to that particular BIDDER in comparison to other BIDDERS.
- 1.3 All the officials of the BUYER will report to the appropriate Government office any attempted or completed breaches of the above commitments as well as any substantial suspicion of such a breach.
- 1.4 In case any such preceding misconduct on the part of such official(s) is reported by the BIDDER to the BUYER with full and verifiable facts and the same is prima-facie found to be correct by the BUYER, necessary disciplinary proceedings, or any other action as deemed fit, including criminal proceedings may be initiated by the BUYER and such a person shall be debarred from further dealings related to the contract process. In such a case while an enquiry is being conducted by the BUYER the proceedings under the contract would not be stalled.

Commitments of BIDDERS

- 2.1 The BIDDER commits itself to take all measures necessary to prevent corrupt practices, unfair means and illegal activities during any stage of its bid or during any pre-contract or post-contract stage in order to secure the contract or in furtherance to secure it and in particular commit itself to the following:
- 2.2 The BIDDER will not offer, directly or through intermediaries, any bribe, gift, consideration, reward, favour, any material or immaterial benefit or other advantage, commission, fees, brokerage or inducement to any official of the BUYER, connected directly or indirectly with the bidding process, or to any person, organisation or third party related to the contract in exchange for any advantage in the bidding, evaluation, contracting and implementation of the contract.
- 2.3 The BIDDER further undertakes that it has not given, offered or promised to give, directly or indirectly any bribe, gift, consideration, reward, favour, any material or immaterial benefit or other advantage, commission, fees, brokerage or inducement to any official of the BUYER or otherwise in procuring the Contract or forbearing to do or having done any act in relation to the obtaining or execution of the contract or any other contract with the Government for showing or forbearing to show favour or disfavour to any person in relation to the contract or any other contract with the Government.
- 2.4 BIDDERS shall disclose the name and address of agents and representatives and Indian BIDDERS shall disclose their foreign principals or associates.
- 2.5 BIDDERS shall disclose the payments to be made by them to agents/brokers or any other intermediary, in connection with this bid/contract.
- 2.6 The BIDDER further confirms and declares to the BUYER that the BIDDER is original manufacturer/integrator/authorised government sponsored export entity of the defence stores and has not engaged any individual or firm or company whether Indian or foreign to intercede, facilitate or in any way to recommend to the BUYER or any of its

functionaries, whether officially or unofficially to the award of the contract to the BIDDER, nor has any amount been paid, promised or intended to be paid to any such individual, firm or company in respect of any such intercession, facilitation or recommendation.

- 2.7 The BIDDER, either while presenting the bid or during pre-contract negotiations or before signing the contract, shall disclose any payments he has made, is committed to or intends to make to officials of the BUYER or their family members, agents, brokers or any other intermediaries in connection with the contract and the details of services agreed upon for such payments.
- 2.8 The BIDDER will not collude with other parties interested in the contract to impair the transparency, fairness and progress of the bidding process, bid evaluation, contracting and implementation of the contract.
- 2.9 The BIDDER will not accept any advantage in exchange for any corrupt practice, unfair means and illegal activities.
- 2.10 The BIDDER shall not use improperly, for purposes of competition or personal gain, or pass on to others, any information provided by the BUYER as part of the business relationship, regarding plans, technical proposals and business details including information contained in any electronic data carrier. The BIDDER also undertakes to exercise due and adequate care lest any such information is divulged.
- 2.11 The BIDDER commits to refrain from giving any complaint directly or through any other manner without supporting it with full and verifiable facts.
- 2.12 The BIDDER shall not instigate or cause to instigate any third person to commit any of the actions mentioned above.
- 2.13 If the BIDDER or any employee of the BIDDER or any person acting on behalf of the BIDDER, either directly or indirectly, is a relative of any of the officers of the BUYER, or alternatively, if any relative of an officer of the BUYER has financial interest/stake in BIDDER's firm, the same shall be disclosed by the BIDDER at the time of filing of tender.

The term 'relative' for this purpose would be as defined in Section – 6 of the Companies Act 2013.

- 2.14 The BIDDER shall not lend to or borrow any money from or enter into any monetary dealings or transactions, directly or indirectly, with any employee of the BUYER.
- 2.15 The Bidder signing this Integrity Pact shall not approach the Courts while representing the matters to IEMs and he/she will await their decision in the matter.
- 2.16 The Integrity Pact document should be duly signed and uploaded by the Buyer (RFCL) as part of the Tender Documents. The Bidders shall download this IP document, sign it at the designated place and upload the same as part of their submission documents in bids.

In Works contracts, where contract agreement is signed on a non-judicial stamp paper, the IP shall form part of the contract agreement.

In Procurement of Goods and Services (Consultancy/Non-Consultancy), where signing of a contract agreement may not be a requirement, the IP may be obtained on a non-judicial stamp paper from the bidders after opening of the Technical Bids.

3. **Previous Transgression**

3.1 The BIDDER declares that no previous transgression occurred in the last three years immediately before signing of this Integrity Pact, with any other company in any country in respect of any corrupt practices envisaged hereunder or with any Public Sector Enterprise in India or any Government Department in India that could justify BIDDER's exclusion from the tender process.

3.2 The BIDDER agrees that if it makes incorrect statement on this subject, BIDDER can be disqualified from the tender process or the contract, if already awarded, can be terminated for such reason.

4. **Sanctions for Violations**

4.1 Any breach of the aforesaid provisions by the BIDDER or any one employed by it or acting on its behalf (whether with or without the knowledge of BIDDER) shall entitle the BUYER to take all or any one of the following actions, wherever required: -

- i) To immediately call off the pre contract negotiations without assigning any reason or giving any compensation to the BIDDER. However, the proceedings with the other BIDDER(s) would continue.
- ii) The Earnest Money Deposit (in pre-contract stage) and/or Security Deposit/Performance Bond (after the contract is signed) shall stand forfeited either fully or partially, as decided by the BUYER and the BUYER shall not be required to assign any reason therefore.
- iii) To immediately cancel the contract, if already signed, without giving any compensation to the BIDDER.
- iv) To recover all sums already paid by the BUYER, and in case of an Indian BIDDER with interest thereon at 2% higher than the prevailing Prime Lending Rate of State Bank of India, while in case of a BIDDER from a country other than India with interest thereon at 2% higher than the LIBOR (London Interbank Offered Rate). If any outstanding payment is due to the BIDDER from the BUYER in connection with any other contract for any other stores, such outstanding payment could also be utilised to recover the aforesaid sum and interest.
- v) To encash the advance bank guarantee and performance bond/warranty bond, if furnished by the BIDDER, in order to recover the payments, already made by the BUYER, along with interest.
- vi) To cancel all or any other Contracts with the BIDDER. The BIDDER shall be liable to pay compensation for any loss or damage to the BUYER resulting from such cancellation/rescission and the BUYER shall be entitled to deduct the amount so payable from the money(s) due to the BIDDER.

- vii) To debar the BIDDER from participating in future bidding process of the Government of India for a minimum period of five years, which may be further extended at the discretion of the BUYER.
 - viii) To recover all sums paid in violation of this Pact by BIDDER (s) to any middleman or agent or broker with a view to securing the contract.
 - ix) In cases where irrevocable Letters of Credit have been received in respect of any contract signed by the BUYER with the BIDDER, the same shall not be opened.
 - x) Forfeiture of Performance Bond in case of a decision by the BUYER to forfeit the same without assigning any reason for imposing sanction for violation of this Pact.
- 4.2 The BUYER will be entitled to take all or any of the actions mentioned at para 5.1(i) to (x) of this Pact also on the Commission by the BIDDER or any one employed by it or acting on its behalf (whether with or without the knowledge of the BIDDER), of an offence as defined in Chapter IX of the Bhartiya Nyaya Sanhita 2023 or Prevention of Corruption Act, 1988 or any other statute enacted for prevention of corruption.
- 4.3 The decision of the BUYER to the effect that a breach of the provisions of this Pact has been committed by the BIDDER shall be final and conclusive on the BIDDER. However, the BIDDER can approach the Independent External Monitor(s) appointed (details in clause 7.1) for the purposes of this Pact.

5. **Fall Clause**

- 5.1 The BIDDER undertakes that it has not supplied/is not supplying similar product/systems or subsystems at a price lower than that offered in the present bid in respect of any other Ministry/Department of the Government of India or PSU and if it is found at any stage that similar product/systems or sub systems was supplied by the BIDDER to any other Ministry/Department of the Government of India or a PSU at a lower price, then that very price, with due allowance for elapsed time, will be applicable to the present case and the difference in the cost would be refunded by the BIDDER to the BUYER, if the contract has already been concluded.

6. **Independent External Monitors (IEMs)**

- 6.1 The BUYER has appointed Independent External Monitors (hereinafter referred to as IEMs) for this Pact in consultation with the Central Vigilance Commission, Details of IEMs are as follows:
- a) Sh. Vishwanath Giriraj, IAS (Retd.)
A Wing, Flat 1001, Landmark Towers, GD Ambedkar marg,
Opp. Wadala Telephone Exchange, Naigaon
Dadar East, Mumbai – 400014; Email: vgiriraj@rediffmail.com
 - b) Sh. Ranvir Singh, IFS (Retd.)

Email: iem1@rfcl.co.in

- 6.2 The task of the IEMs shall be to review independently and objectively, whether and to what extent the parties comply with the obligations under this Pact.
- 6.3 The IEMs shall not be subject to instructions by the representatives of the parties and perform their functions neutrally and independently.
- 6.4 Both the parties accept that the IEMs have the right to access all the documents relating to the project/procurement, including minutes of meetings.
- 6.5 As soon as the IEM notices, or has reason to believe, a violation of this Pact, he will so inform the Authority designated by the BUYER.
- 6.6 The BIDDER(s) accepts that the IEM has the right to access without restriction to all Project documentation of the BUYER including that provided by the BIDDER. The BIDDER will also grant the IEM's, upon his request and demonstration of a valid interest, unrestricted and unconditional access to his project documentation. The same is applicable to Subcontractors. The IEM shall be under contractual obligation to treat the information and documents of the BIDDER/Subcontractor(s) with confidentiality.
- 6.7 The BUYER will provide to the IEM sufficient information about all meetings among the parties related to the Project provided such meetings could have an impact on the contractual relations between the parties. The parties will offer to the IEMs the option to participate in such meetings.
- 6.8 The IEM will submit a written report to the designated Authority of BUYER/Secretary in the Department/ within 8 to 10 weeks from the date of reference or intimation to him by the BUYER /BIDDER and, should the occasion arise, submit proposals for correcting problematic situations.

7. **Facilitation of Investigation**

In case of any allegation of violation of any provisions of this Pact or payment of commission, the BUYER or its agencies shall be entitled to examine all the documents including the Books of Accounts of the BIDDER and the BIDDER shall provide necessary information and documents in English and shall extend all possible help for purpose of such examination.

8. **Law & Place of Jurisdiction**

This Pact is subject to Indian Law. The place of performance and jurisdiction is the seat of the BUYER.

9. **Other Legal Actions**

The actions stipulated in this Integrity Pact are without prejudice to any other legal action that may follow in accordance with the provisions of the extant law in force relating to any civil or criminal proceedings.

10. **Validity**

- 11.1 The validity of this Integrity Pact shall be from date of its signing and extend up-to 5 years or the complete execution of the contract to the satisfaction of

both the BUYER and the BIDDER/Seller, including warranty period, whichever is later. In case BIDDER is unsuccessful, this Integrity Pact shall expire after six months from the date of the signing of the contract.

11.2 Should one or several provisions of this Pact turn out to be invalid; the remainder of this Pact shall remain valid. In this case, the parties will strive to come to an agreement to their original intentions.

11. This Integrity Pact is deemed as part of the Contract/Tender documents and all concerned bidders are bound by its provisions.

(For & on behalf of the Buyer)

(For & on behalf of Bidder/Contractor)

BINAYABRATA MAHAPATRA
SENIOR MANAGER (MATERIALS)
Ramagundam Fertilizers and Chemicals Limited
Ramagundam-505210, Dist. Peddapalli (T.S.)

Place: Noida, UP
Date: _____

(Office Seal)

Place:
Date:

Witness 1 : Durgesh
(Name & Address)

Durgesh Kumar Sharma
RFCL Ramagundam
- 505210

Witness 2 : Johny
(Name & Address)

ASHISH NEGI
RFCL Ramagundam
505210

Witness 1 : _____
(Name & Address)

Witness 2 : _____
(Name & Address)

BIDDER QUALIFICATION CRITERIA (BOC)

Offers of only those participating parties/Bidders will be considered for price bid opening/ evaluation who meets the following qualification criteria:

S. No.	conditions	Documents Required (To be Submitted/Uploaded along with technical bid)								
1	<p>Bidder should be either manufacturer / Authorized dealer / supplier having successful experience during the last Five (5) years.</p> <p>Note: “The last 5 years shall be counted from last date of the preceding month in which tender has been Issued.”</p>	<p>i) Bidder must submit the copy of valid industrial Licence issued by Statutory authority for being a manufacturer along with ISO certificate/ GST Registration certificate / Udyog Adhaar / certificate issued by statutory authority / NSIC certificate or equivalent certificate.</p> <p>ii) In case the manufacturer wants to quote through their authorized dealer/distributor or their authorized dealer wants to quote separately then authorization certificate from the manufacturer is required in addition to (i) above. The Authorization certificate should be issued for specific tender/enquiry.</p> <p>iii) Authorization letter from the company on behalf of the person signing the document be provided with technical bid.</p> <p>iv) For Proprietorship firm - Name of the proprietor to be mentioned. Affidavit of proprietorship in original duly notarized(Latest)</p> <p>v) For partnership firms –Affidavit in originals duly notarized, confirming the current status of the firm along with names of the partners. Copy of partnership deed duly notarized (latest) to be submitted</p>								
2	<p>The bidder shall submit documentary, evidence with respect to experience of having successfully completed / executed at least one order of the following items during the last two years. (i.e. 31.03.2024 to 31.03.2026)</p> <table border="1" data-bbox="217 1480 807 1888"> <thead> <tr> <th data-bbox="217 1480 320 1608">Sr. No.</th> <th data-bbox="320 1480 451 1608">Description</th> <th data-bbox="451 1480 596 1608">Supplied Quantity</th> <th data-bbox="596 1480 807 1608">Or Executed Value (Excluding GST)</th> </tr> </thead> <tbody> <tr> <td data-bbox="217 1608 320 1888">1.</td> <td data-bbox="320 1608 451 1888">Supply of control valve in the synthesis gas line for ammonia plant</td> <td data-bbox="451 1608 596 1888">1</td> <td data-bbox="596 1608 807 1888">1,60,00,000/-</td> </tr> </tbody> </table> <p>Note:</p> <ul style="list-style-type: none"> • “The last 2 years shall be counted from last date of the preceding month in which tender has been Issued.” 	Sr. No.	Description	Supplied Quantity	Or Executed Value (Excluding GST)	1.	Supply of control valve in the synthesis gas line for ammonia plant	1	1,60,00,000/-	<p>i) Documentary evidence (Relevant P.O. and Copies of Invoices Or Delivery Orders) should be enclosed from respective customer(s) which should in line with similar Ammonia Plant –licensor halder topsoe</p> <p>ii) The contact details of Customer(s) may be mentioned in order to verify the antecedents.</p>
Sr. No.	Description	Supplied Quantity	Or Executed Value (Excluding GST)							
1.	Supply of control valve in the synthesis gas line for ammonia plant	1	1,60,00,000/-							

--	--	--

3	<p>The Minimum Annual financial turnover shall not be less than Rs. 1.6 crores in any one of the immediate Three preceding financial years as on the date of issuance of this Tender/Enquiry.</p> <p>Note:</p> <ul style="list-style-type: none"> In case financial year closing date is within 6 months of date of issue of enquiry and audited annual report of preceding financial year is not available, bidder has the option to submit the financial details of the three previous years immediately prior to the last financial year. Otherwise, it is compulsory to submit the financial details of the immediate three preceding financial years. (Example, In case ,audited annual report of immediate preceding financial year (year ending 31st March) is not available and where enquiry issue date is up to 31st December, the financial details of the three previous years immediately prior to the last financial year may be submitted. However, in case the enquiry issue date is after 31st December, it is compulsory to submit the financial details of the immediate three preceding financial years only.) In case bidder is having subsidiaries but only a single consolidated annual report is prepared as per prevailing law of land and audited which includes the financial details of their subsidiaries, consolidated audited annual report shall be considered for establishing the financial criteria subject to statutory auditor /chartered accountant of the bidder certifying that separate annual report of Bidder (without the financial data of subsidiaries) is not prepared and audited. <p>Further, in case a bidder is a subsidiary company and separate annual report of the Bidder is not published, but only a consolidated annual report of the parent company is available, consolidated annual report shall be considered for establishing the financial criteria subject to statutory auditor of Parent Company /Chartered accountant of the Bidder certifying that separate annual report of the Bidder is not prepared and audited.</p>	<p>Bidder shall submit financial standing through Audited* Balance Sheet/ Profit & Loss Account for the last three financial years. (FY 2023-24, 2024-25, 2025-26)</p> <p>* Where audited accounts are not mandatory as per law, bidder can submit financial standing duly certified by practicing Chartered Accountants (not being an employee or a director or not having any interest in the bidder's company).</p>
---	---	---

4	The net worth of the bidders should be positive for the Financial year 2025-26 ending 31st March'2026* .	A Copy of Audited* Balance Sheet should be submitted in support of your claim. * Where audited accounts are not mandatory as per law, bidder can submit financial standing duly certified by practicing Chartered Accountants (not being an employee or a director or not having any interest in the bidder's company).
5	Bidder should have minimum working capital of Rs. 16 lakh as per Audited Financial result of FY 2025-26 . "Working capital should be current assets minus current liabilities.	Copy of audited balance sheet for the Financial year ending 31st March'2026 should be submitted. Or, Requisite document issued either from any Indian scheduled Bank (except co-operative bank and Gramin Bank) for availability of unutilized fund based line of credit for at least of Rs 16 lakhs as per quote as on preceding month in which tender has been issued.
6	I. Bidder must not be black listed by any government department/public sector undertaking/co-operative Unit. II. Bidder must not be delisted / on Negative List by any government department/public sector undertaking/co-operative Unit in the last two years, as on date of participating in the tender. III. Bidder must not be on the Holiday list of RFCL.	Self-certification(s) for both should be submitted on Party's letterhead for the same.

EVALUATION CRITERIA

Since the bids are being invited under two-part system, therefore the following bid evaluation criteria shall be followed:

1. The Technical Bids of only such tenderers shall be opened who has deposited the EMD in the requisite format as per NIT as prescribed in the tender document.
2. Price Bid(s) of the tenderer(s) meeting the Eligibility criteria shall only be opened.
3. Evaluation of the price bids shall be on item wise basis and work shall be awarded to L-1 bidder(s).
4. RFCL reserves the right to reject or accept any tender without giving any reason.
5. Vendor has to submit the past performance certificate for control valve installed in similar service in any ammonia plant for validation and verification purpose

ANNEXURE-IX

Financial Statement

	31 st March Year 2024	31 st March Year 2025	31 st March Year 2026
Annual Turnover			
Net Worth			
Working Capital			

Note: Duly Certified by Bidder/Chartered Accountant.

ANNEXURE-X

Technical Statement

Sr. No.	PO Ref No.	PO Value (Rs.) (Excluding GST)	PO Executed Value (Rs.) (Excluding GST)	Remarks
1				
2				
3				
.				
.				

Note: Duly Certified by Bidder.